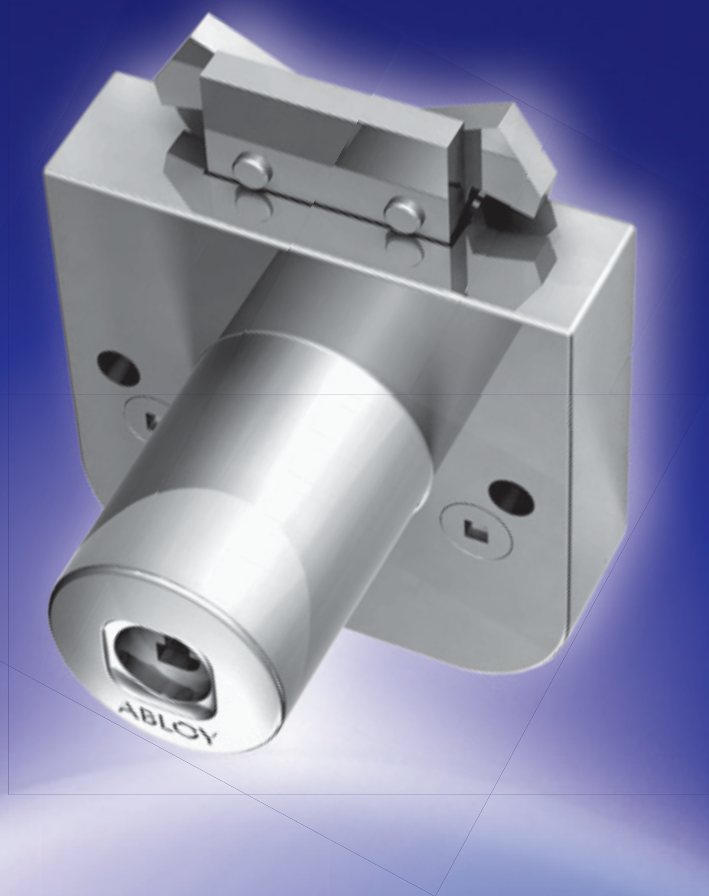


ABLOY® VEGA CABINET LOCKS



ABLOY® VEGA CABINET LOCKS

Modern design. Simplicity in assembling. High level security. Improved usability. All good reasons to choose new **ABLOY® VEGA**.

ABLOY® VEGA cabinet locks are suitable for a wide range of applications including office furniture, lockers, cabinets, storage chests, wardrobes, sliding doors, display cases and other fittings. All **ABLOY®** cabinet locks have a uniform, exquisite design to meet the high quality design requirements of your office.



UNIQUE FEATURES

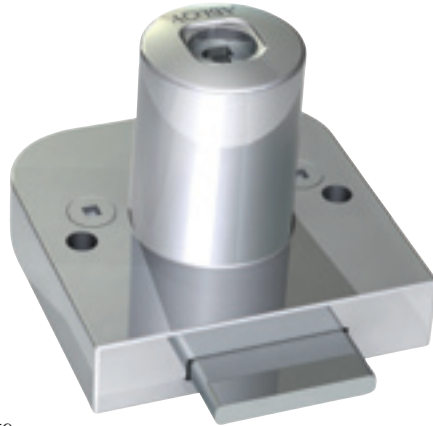
The unique **ABLOY®** cylinder construction, patented cylinders, strict key control and extensive masterkeying capabilities make **ABLOY®** cabinet locks ideally suited for the most demanding applications.

Unique construction

Based on a unique operating principle which employs rotating detainer discs, **ABLOY®** cabinet locks offer many advantages over other locking systems.

Resistance to harsh conditions

The **ABLOY®** cylinder contains no springs or pins which mean that they can operate in a wide range of environmental conditions. All the components are highly resistant to wear, dirt, moisture, corrosion or freezing conditions.



User-friendly

The disc control system and symmetrical key make **ABLOY®** cabinet locks easy to operate.

Masterkeying capabilities

The several million different key combinations available mean that the **ABLOY®** cylinder offers extensive master keying possibilities. All **ABLOY®** cylinder products can be made to operate with just a single key.

Virtually pickproof

Only the correct key can align the gates on all the discs and permit the locking bar to disengage the cylinder from the housing.

The **ABLOY®** PROTEC cylinder employs a new, patented disc blocking system (DBS) which makes it impossible to manipulate the cylinder so that it opens without the correct key.

ADJUSTMENTS



All **ABLOY®** cabinet locks are delivered with a default action where key is removable only in locked position. By adjusting the hexagonal bolt on the rear reverse of the lock key can be removed both locked and unlocked positions.

1,5 mm allen key

KEY SECURITY

To ensure security, it is significantly important to be aware of who is using the keys and how they are stored. Equally important is to choose the right key and cylinder system to meet the needs of each application. To guarantee maximum customer security **ABLOY®** cylinder system offers a variety of key profiles and patented key security levels with a factory-controlled key service.

ABLOY® PROTEC

- All metal key
- Patented key, key blank and cylinder construction
- Disc blocking system (DBS™)
- Can be masterkeyed to work with
- **ABLOY®** cylinders
- Extensive range of **ABLOY®** industrial locks available



ABLOY® SENTRY

- Patented key- and cylinder construction
- All metal-, symmetrical key
- Wide variety of products for mechanical industrial locking applications
- Can be masterkeyed to work with **ABLOY®** industrial locks

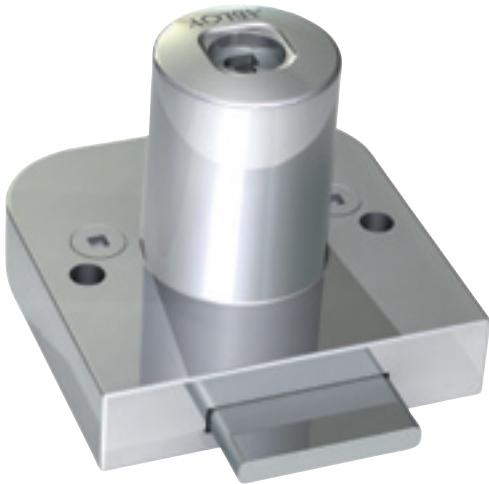


ABLOY® CLASSIC

- All metal key
- Cost effective solution for basic security level applications
- Can be masterkeyed to work with **ABLOY®** cylinders



OF230, OF220



OF230C, OF230B, OF230N

- Maximum door thickness in assembling 25mm
- Number of rotating discs: 11
- Type of bolt: Flat

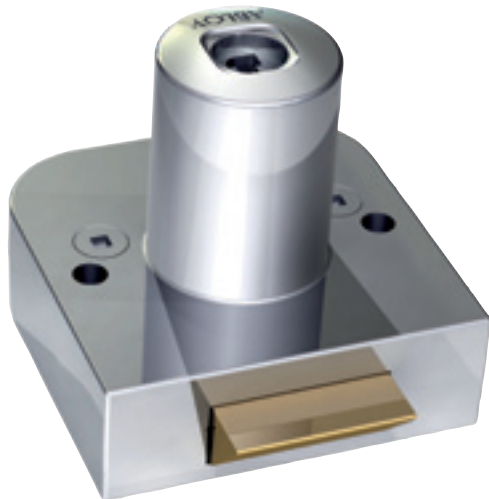
OF220C, OF220B

- Maximum door thickness in assembling 19mm
- Number of rotating discs: 7
- Type of bolt: Flat
- Cannot be masterkeyed with door lock cylinders

Materials and finish:

- Cylinder housing: Chromium plated zinc
- Bolt: Nickel plated steel

OF231, OF221



OF231C, OF231B, OF231N

- Maximum door thickness in assembling 25mm
- Number of rotating discs: 11
- Type of bolt: Spring latch

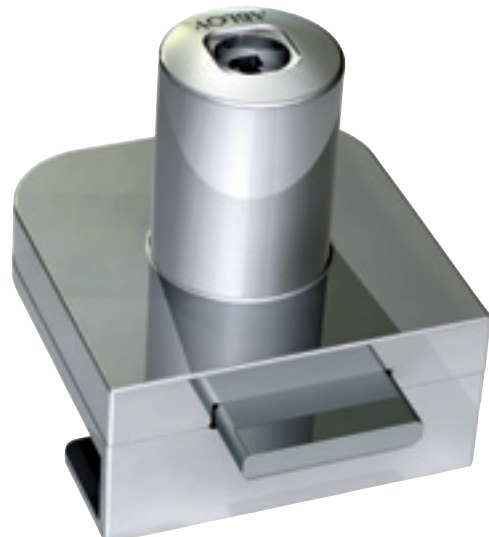
OF221C, OF221B

- Maximum door thickness in assembling 19mm
- Number of rotating discs: 7
- Type of bolt: Spring latch
- Cannot be masterkeyed with door lock cylinders

Materials and finish:

- Cylinder housing: Chromium plated zinc
- Bolt: Brass

OF232, OF222



OF232C, OF232B, OF232N

- Maximum door thickness in assembling 8mm
- Number of rotating discs: 11
- Type of bolt: Flat

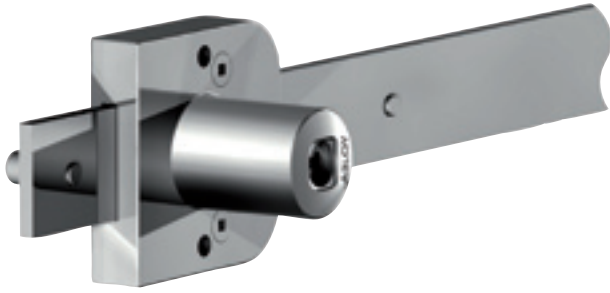
OF222C, OF222B

- Maximum door thickness in assembling 8mm
- Number of rotating discs: 7
- Type of bolt: Flat
- Cannot be masterkeyed with door lock cylinders

Materials and finish:

- Cylinder housing: Chromium plated zinc
- Bolt: Nickel plated steel

OF233



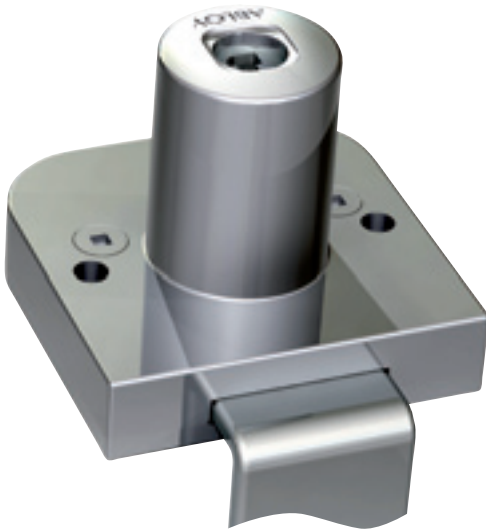
OF233C, OF233B, OF233N

- Maximum door thickness in assembling 25mm
- Number of rotating discs: 11
- Type of bolt: Flat

Materials and finish:

- Cylinder housing: Chromium plated zinc
- Bolt: Nickel plated steel

OF234



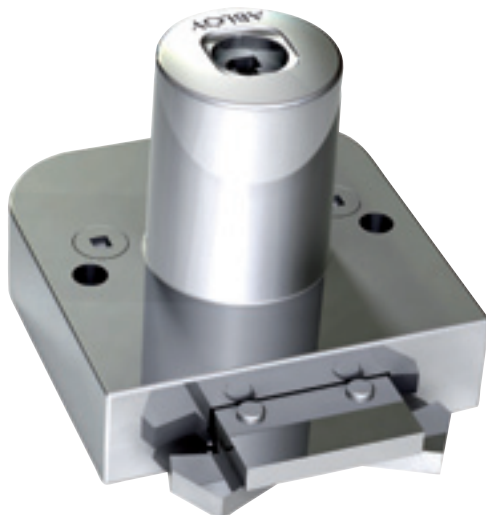
OF234C, OF234B, OF234N

- Maximum door thickness in assembling 25mm
- Number of rotating discs: 11
- Type of bolt: Flat

Materials and finish:

- Cylinder housing: Chromium plated zinc
- Bolt: Nickel plated steel

OF235



OF235C, OF235B, OF235N

- Maximum door thickness in assembling 25mm
- Number of rotating discs: 11
- Type of bolt: Double hook

Materials and finish:

- Cylinder housing: Chromium plated zinc
- Bolt: Nickel plated steel

OF430, OF420



OF430C, OF430B, OF430N

- Maximum door thickness in assembling 32mm
- Number of rotating discs: 11

OF420C, OF420B

- Maximum door thickness in assembling 26mm
- Number of rotating discs: 7
- Cannot be masterkeyed with door lock cylinders

Materials:

- Cylinder: Chromium plated zinc
- Cylinder housing: Chromium plated zinc
- Bolt: Stainless steel

OF431, OF421



OF431C, OF431B, OF431N

- Maximum door thickness in assembling 2-9mm
- Length of key housing: 32mm
- Number of rotating discs: 11

OF421C, OF421B

- Maximum door thickness in assembling 2-9mm
- Length of key housing: 26mm
- Number of rotating discs: 7
- Cannot be masterkeyed with door lock cylinders

Materials:

- Cylinder: Chromium plated zinc
- Cylinder housing: Chromium plated zinc
- Bolt: Stainless steel

OF432, OF422



OF432C, OF432B, OF432N

- Number of rotating discs: 11

OF422C, OF422B

- Number of rotating discs: 7
- Cannot be masterkeyed with door lock cylinders

Materials:

- Cylinder: Satin chromium plated zinc
- Cylinder housing: Satin chromium plated zinc/
satin chromium plated brass
- Bolt: Zinc

OF423



OF423C, OF423B

- Length of key housing: 28mm
- Number of rotating discs: 7
- Cannot be masterkeyed with door lock cylinders

Materials:

- Cylinder: Chromium plated zinc
- Cylinder housing: Chromium plated brass
- Bolt: Stainless steel

OF424



OF424C, OF424B

- Maximum door thickness in assembling 25mm
- Thread bolt M6
- Number of rotating discs: 7
- Cannot be masterkeyed with door lock cylinders

Materials:

- Cylinder: Chromium plated zinc
- Cylinder housing : Chromium plated zinc
- Bolt: Stainless steel

OF433



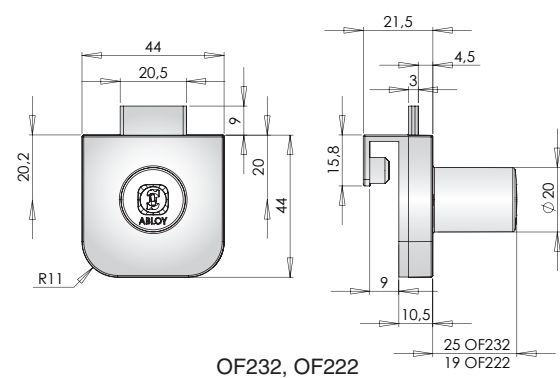
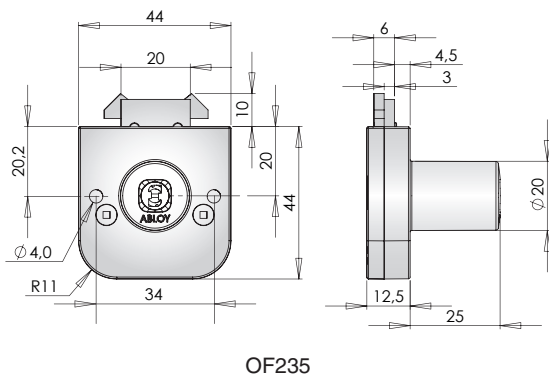
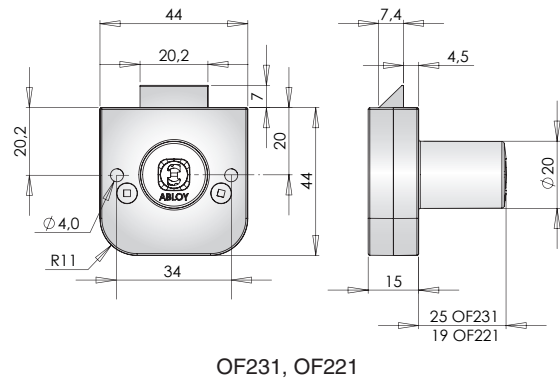
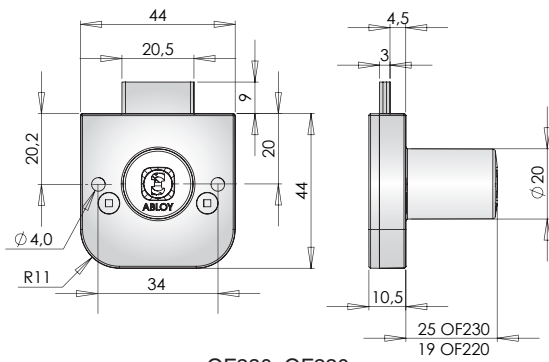
OF433N

- Maximum door thickness in assembling 32mm
- Number of rotating discs: 11
- Can be locked with key only

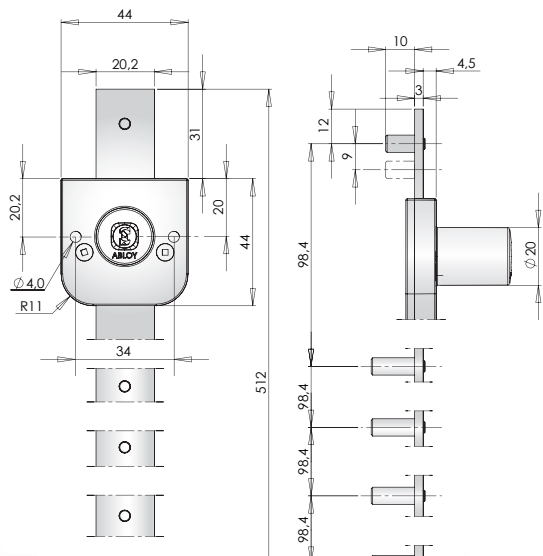
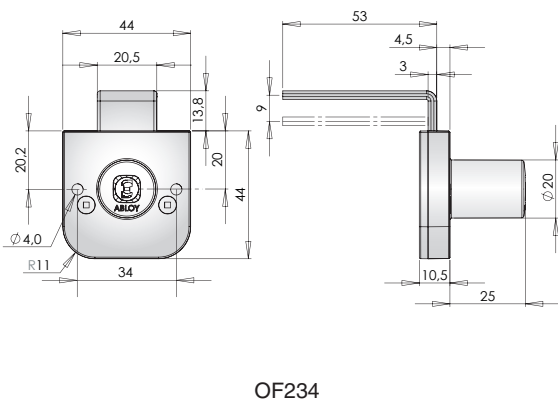
Materials:

- Cylinder: Chromium plated zinc
- Cylinder housing : Chromium plated zinc
- Bolt: Stainless steel

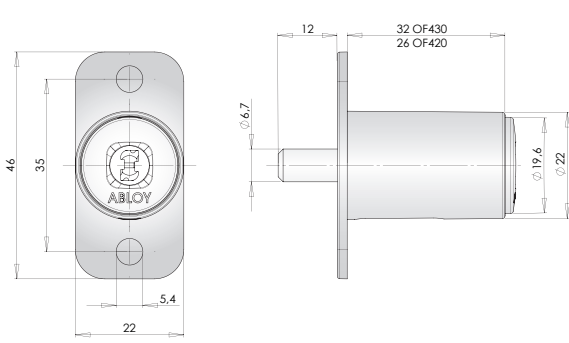
CABINET LOCKS



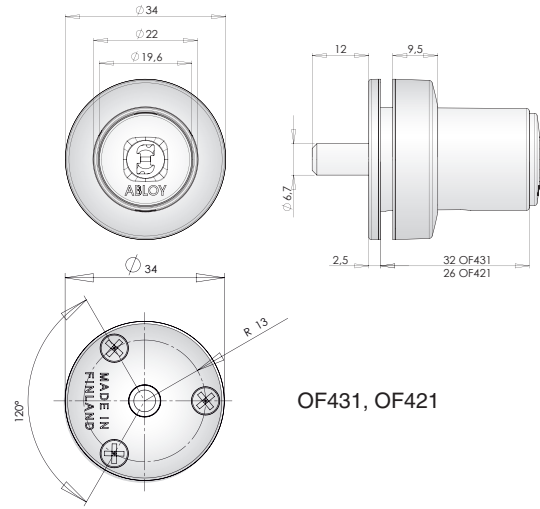
CABINET LOCKS WITH CENTRAL LOCKING BAR



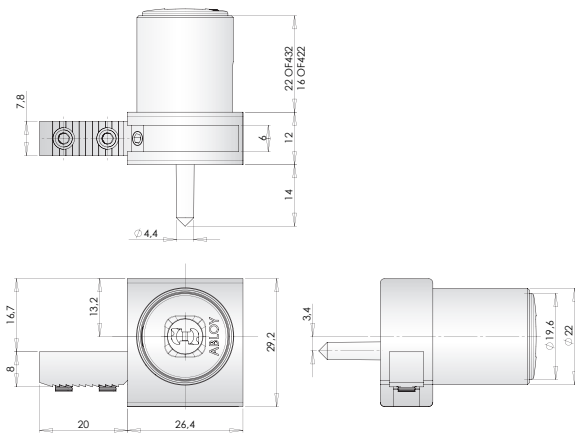
PUSH BUTTON LOCKS



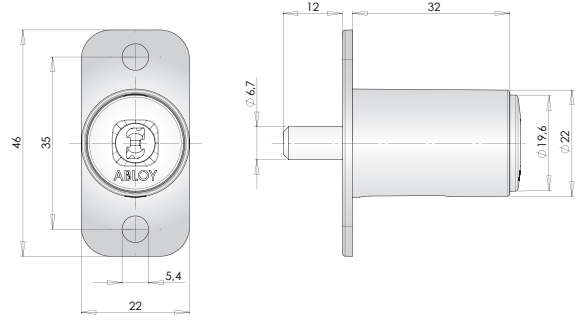
OF430, OF420



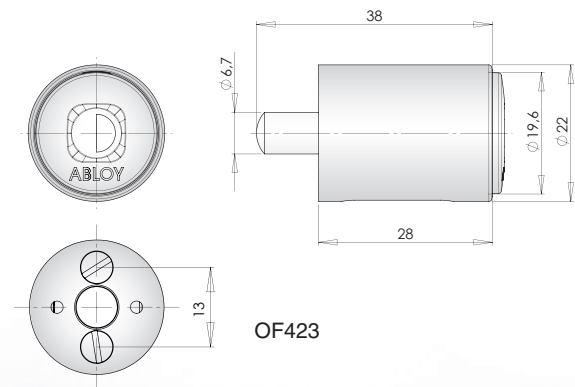
OF431, OF421



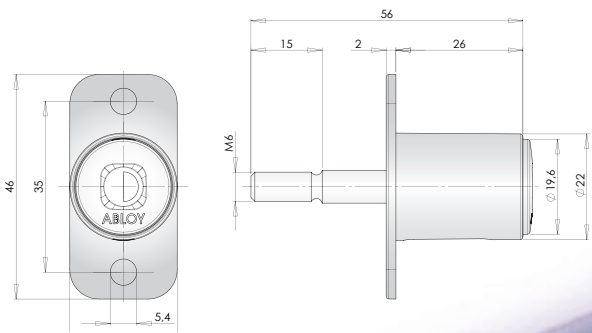
OF432, OF422



OF433



OF423



OF424



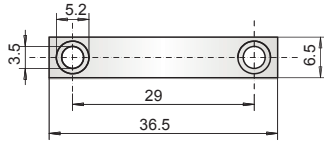
ACCESSORIES

Striker plates

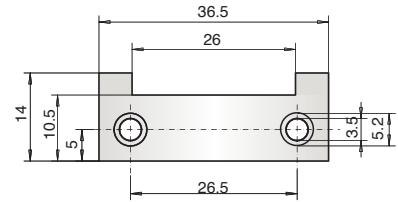
802330



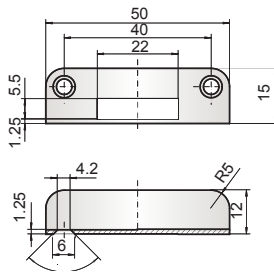
Material: Nickel plated steel



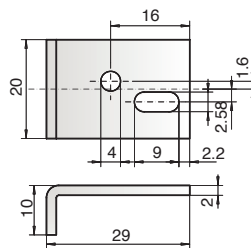
434980



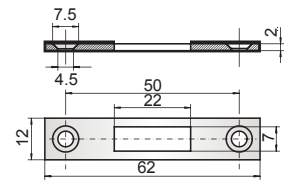
434981



434987

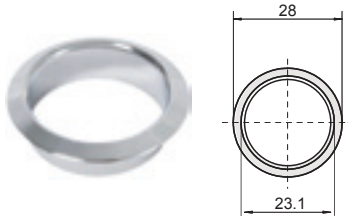


455365

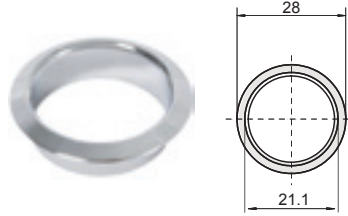


802330

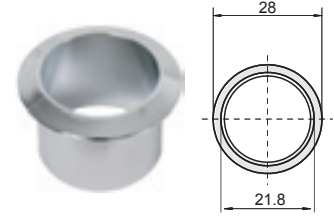
Escutcheon ring



401746 Chromium plated brass
Used with 22 mm diameter products,
length 8 mm

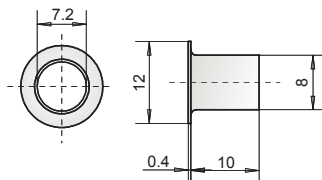


413529 Chromium plated brass
Used with 20 mm diameter products,
length 8 mm



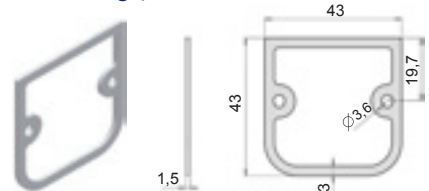
413571 Chromium plated brass
Used with 20 mm diameter products,
length 18 mm

Keep 401930



Material: Nickel plated brass

Lifting plate 814639



plastic, 10 pcs./packing

ABLOY® – the sign for security



The quality and environmental systems used by Abloy Oy guarantee that customers can be certain of **ABLOY®** quality in every field. We received our first Quality System Certificate - SFS-EN ISO 9001 - in 1989. Just eight years later, Abloy Oy was one of the first companies in Finland to be granted an SFS-EN-ISO 14001 Environmental System Certificate.

Our products are designed and manufactured not only to provide high levels of security, but also to be reliable, user-friendly and aesthetically pleasing. **ABLOY®** is your sign for security.



ABLOY® is a registered trademark of Abloy Oy, one of the leading manufacturers of locks, locking systems and architectural hardware and the world's leading developer of products in the field of electromechanical lock technology.

The unique **ABLOY®** detainer disc cylinder mechanism has several advantages over conventional locking mechanisms. Ever since its invention in 1907, it has been a symbol of high security and superior performance.

Our range consists of electromechanical locks, cam locks, padlocks, office furniture locks, rim locks, lock cases, cylinders for different types of mortice locks, door closers, door automatics and architectural hardware. **ABLOY®** locking solutions for every application are available from our world-wide network of distributors.

Customer-oriented development, combined with our long experience and extensive security expertise, mean that **ABLOY®** security solutions employ the very latest technology to meet your needs.



www.abloy.com

Abloy Oy
Wahlforssinkatu 20
P.O.Box 108
FI-80101 JOENSUU
FINLAND
Tel. +358 20 599 2501
Fax +358 20 599 2209

